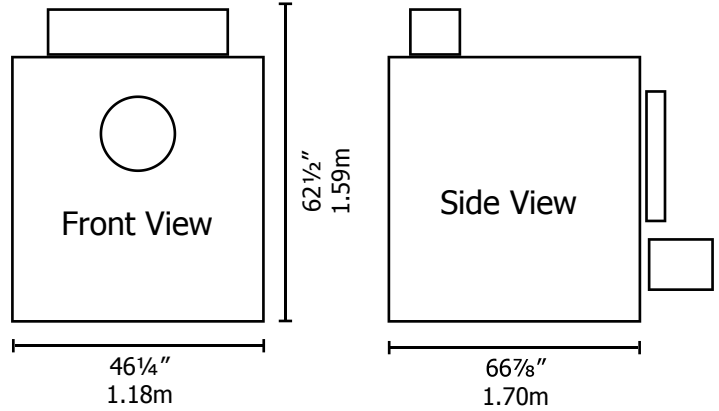


Dimensions **NMC/NOM Series Incubators and Hatchers**

NMC 1000 / NOM 90

Capacities:

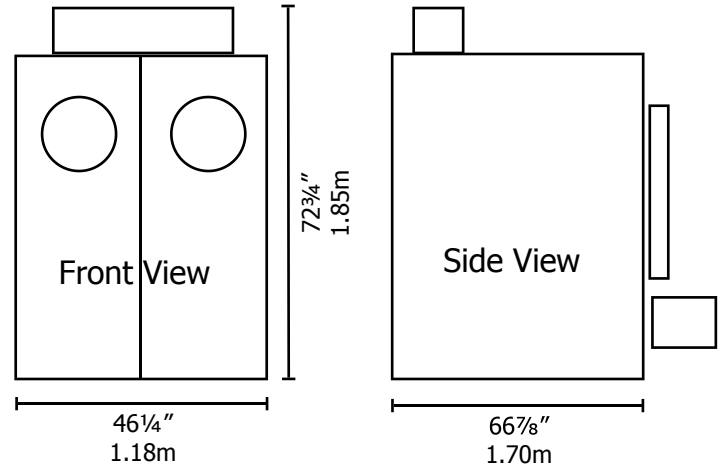
- Chicken.....1,080
- Turkey/Duck.....720
- Pheasant.....1,380
- Quail.....2,850
- Ostrich.....90
- Emu.....120



NMC 1620 / NOM 120

Capacities:

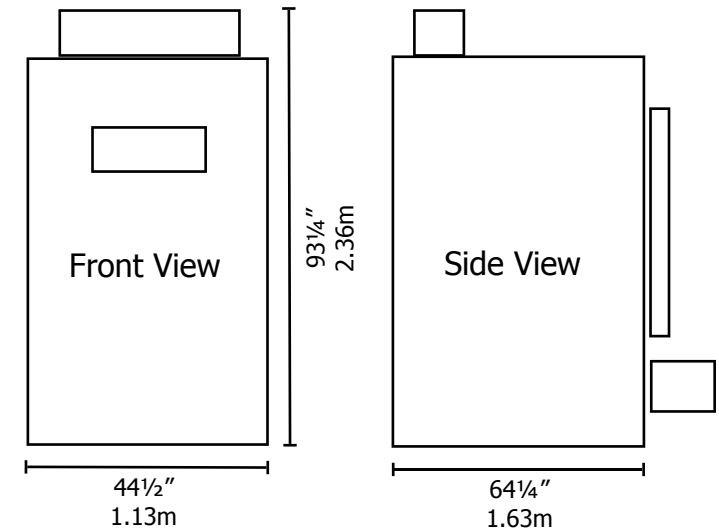
- Chicken.....1,620
- Turkey/Duck.....1,296
- Pheasant.....2,484
- Quail.....5,130
- Ostrich.....120
- Emu.....150



NMC 2340 / NOM 180

Capacities:

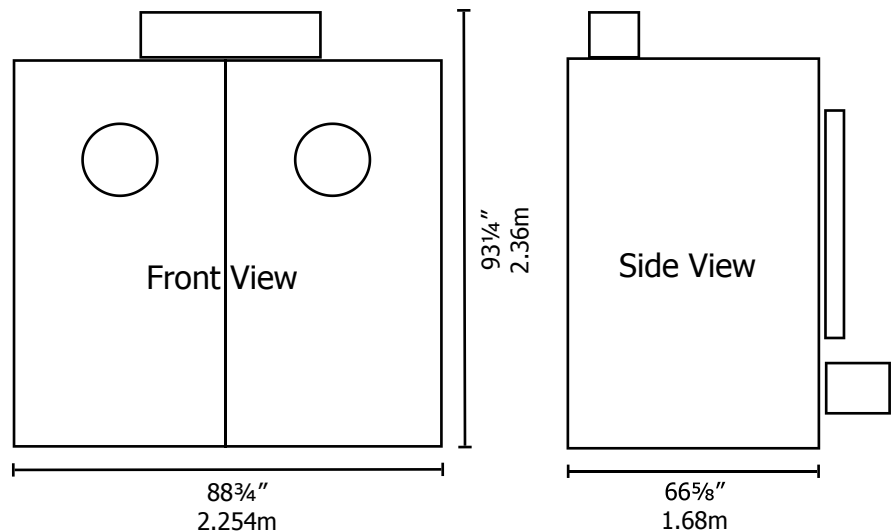
- Chicken.....2,340
- Turkey/Duck.....1,872
- Pheasant.....3,588
- Quail.....7,410
- Ostrich.....180
- Emu.....210



NMC 4680 / NOM 360

Capacities:

- Chicken.....4,680
- Turkey/Duck.....3,744
- Pheasant.....7,176
- Quail.....14,820
- Ostrich.....360
- Emu.....420

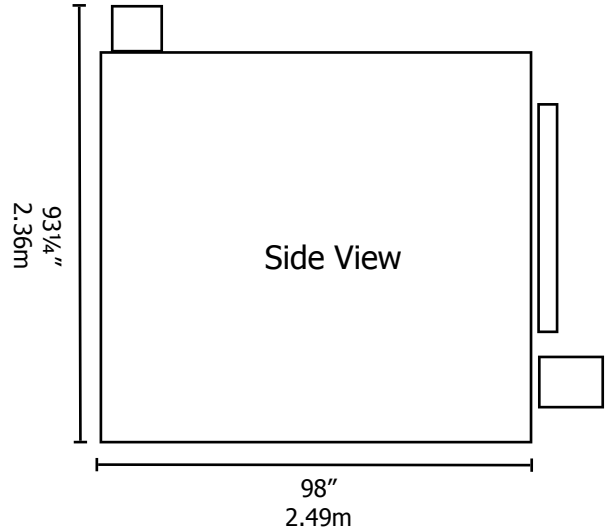


Dimensions **NMC/NOM Series Incubators and Hatchers**

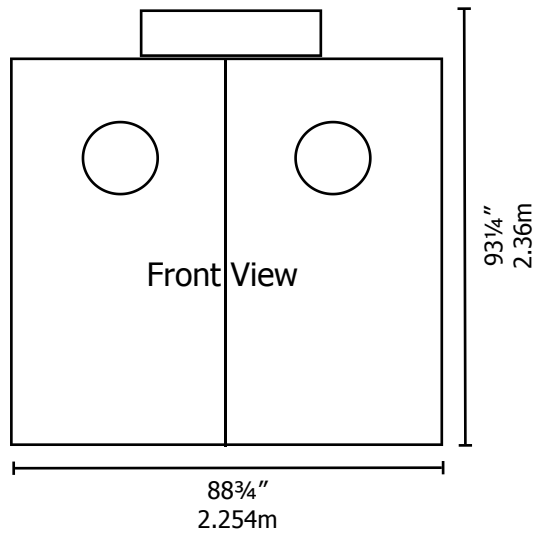
NMC 7000 / NOM 500

Capacities:

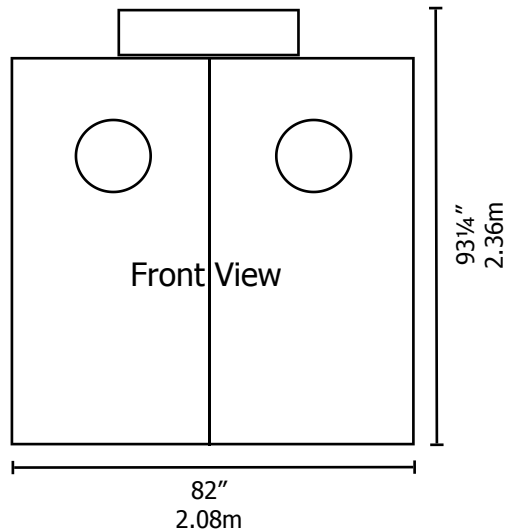
Chicken.....	7,020
Turkey/Duck.....	5,616
Pheasant.....	10,764
Quail.....	22,230
Ostrich.....	500
Emu.....	840



NMC 7000



NOM 500



Note: dimensions given are for individual stand alone machines. All equipment requires space behind to allow for fresh air circulation and space above the machine to allow access to components and for fixing exhaust ductwork. Please consult our technical department for details of room dimensions. Equipment dimensions are subject to change and are given here as a guide. Please check with our technical department for the exact details of your equipment.

Capacities are based on the standard Natureform trays and flats. Other options are available. Natureform reserves the right to modify any specifications which may result from time to time from our constant process of research and development.